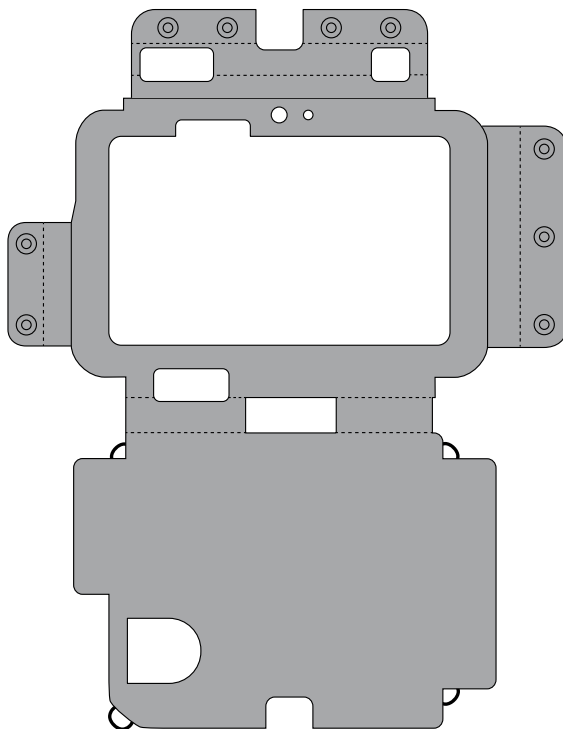


Agile S NI Leather Carry Case

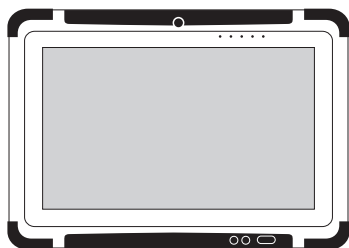
Quick Start Guide

Agile S NI Leather Carry Case

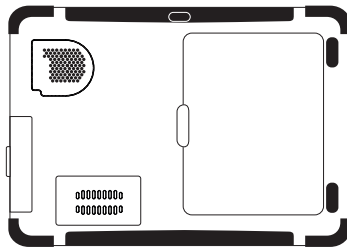
1



Front

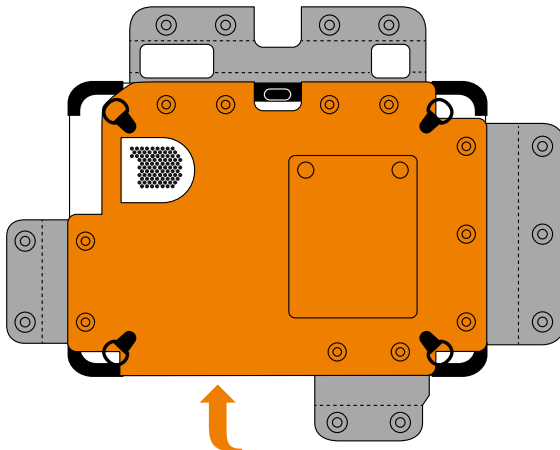
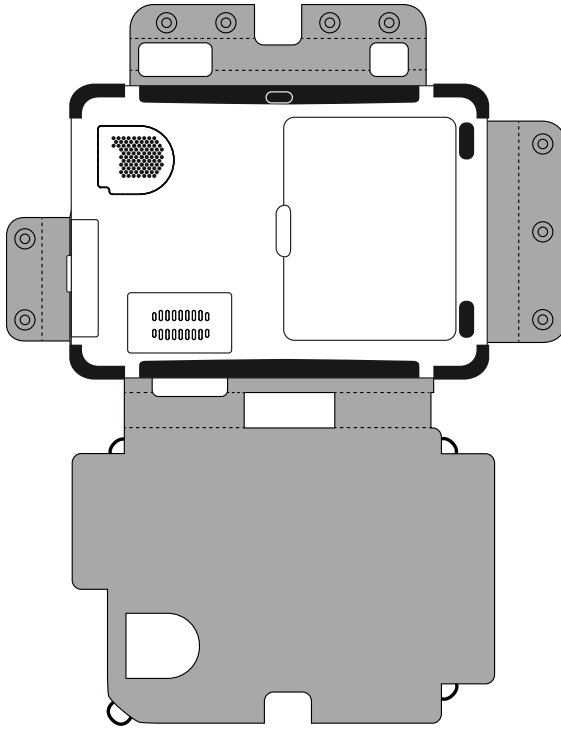


Back

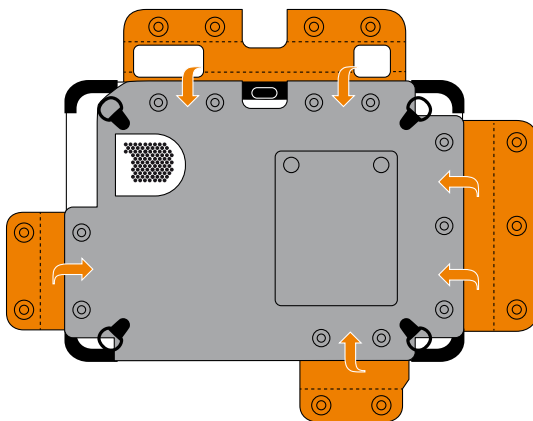


2

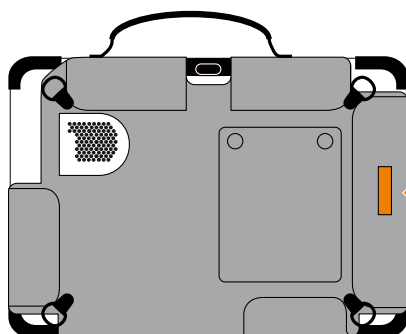
Please ensure that the case is placed correctly so that the camera and the internal scanner are not covered.



3

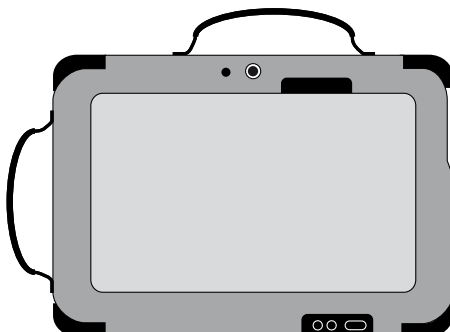


Back

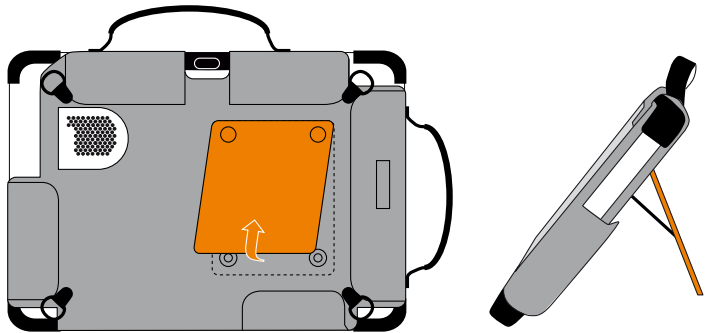


Holder for stylus

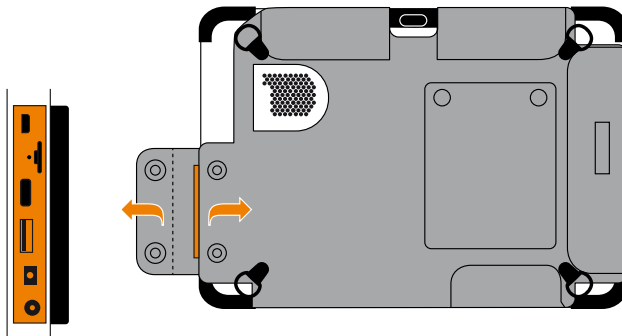
Front



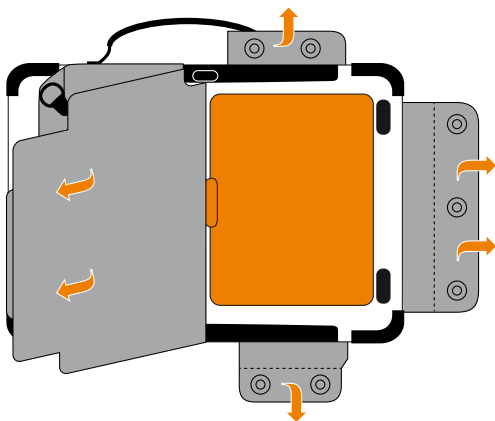
Kick stand



Connections

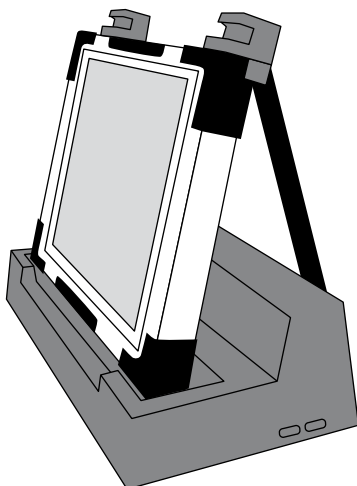


Battery replacement



Docking station

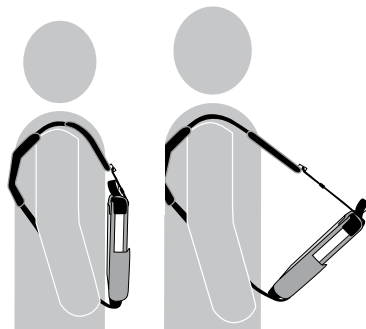
With or without leather carry case



Accessories

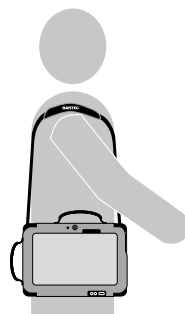
4 point belt

Order no. 03-9829-0092



Shoulder strap

Order no. 03-9829-0091



Dual stylus

Order no. 03-9849-0151





BARTEC GmbH
Max-Eyth-Str. 16
97980 Bad Mergentheim
Germany

Phone: +49 7931 597 0
info@bartec.com
www.bartec.com