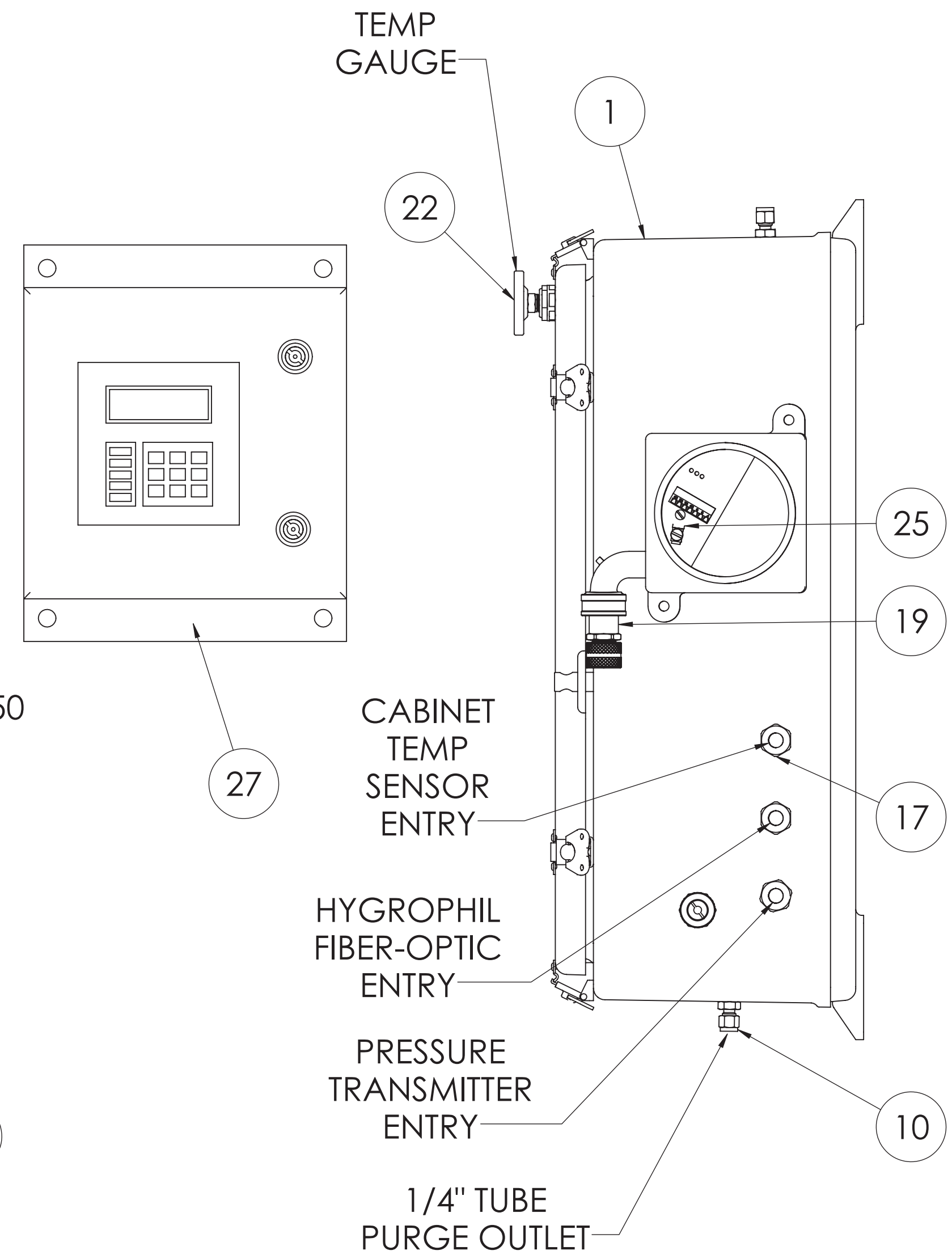
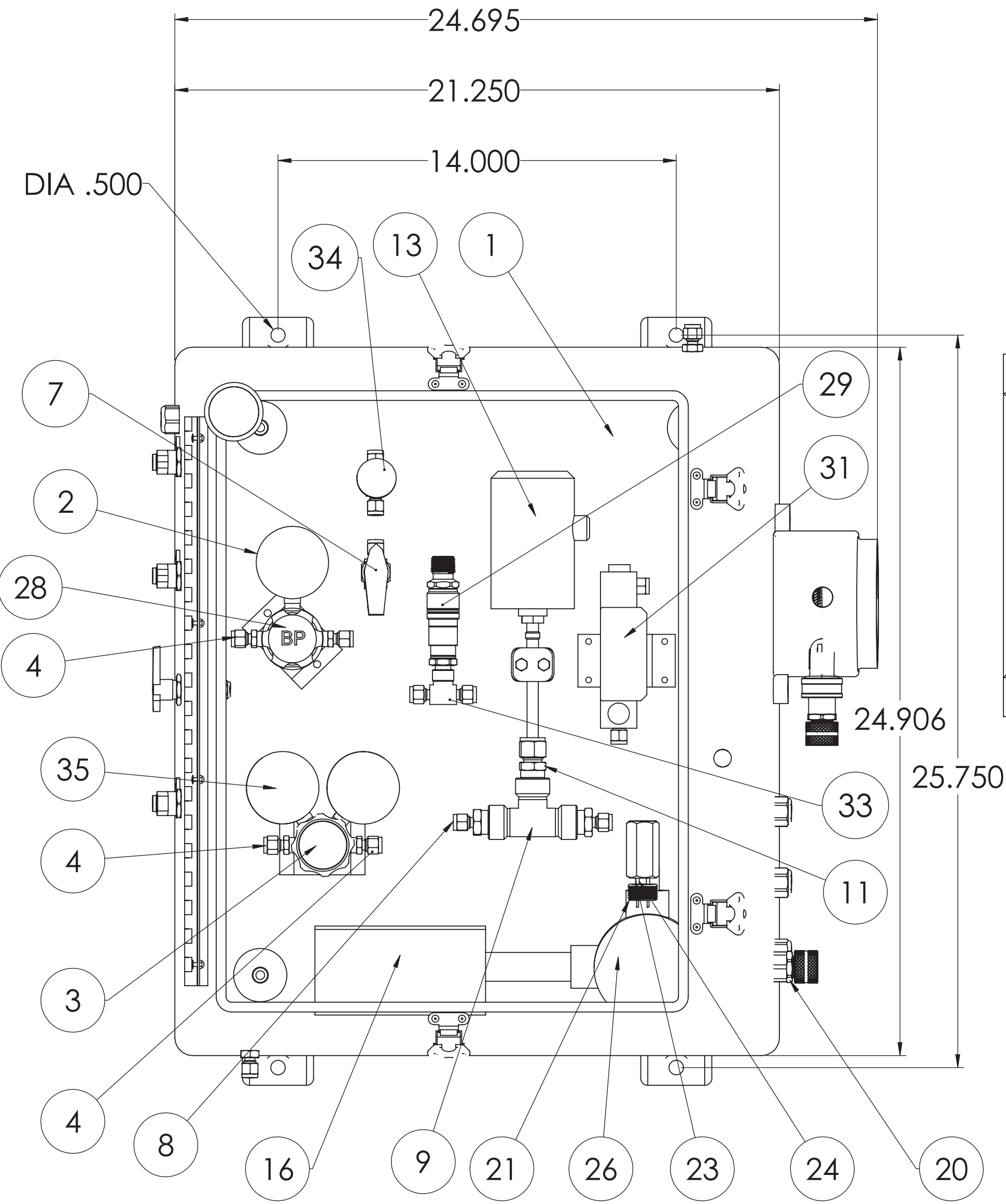
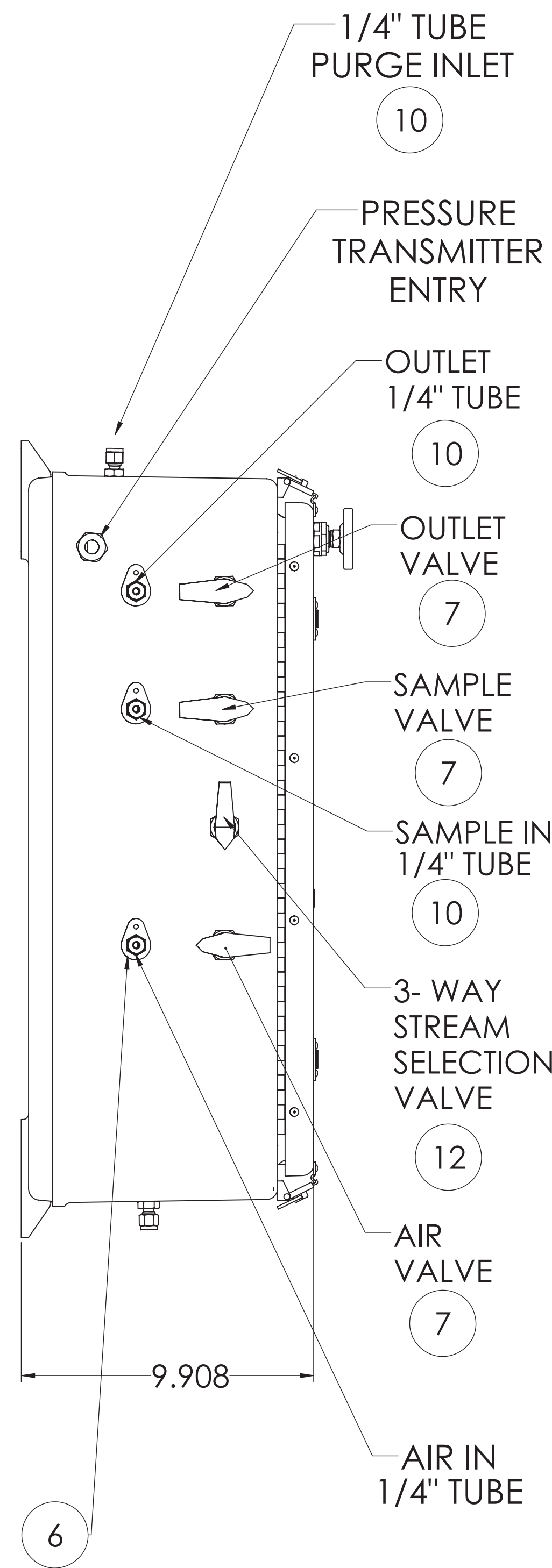


ITEM NO.	PART NUMBER	DESCRIPTION	MATERIAL	QTY.
1	703034	NEMA 4X CONTINUOUS HINGE TWIST LATCH 24X20X8 WITH WINDOW FIBERGLASS-OPAQUE	FIBERGLASS	1
2	650250	0-100 BOTTOM MOUNT PRESSURE GAUGE, 1/4 MNPT	316 STAINLESS STEEL	2
3	650372	6000PSI INLET PRESSURE REGULATOR	316 STAINLESS STEEL	1
4	650086	1/4" MNPT X 1/4" STRAIGHT	316 STAINLESS STEEL	4
5	701043	REGULATOR BRACKET	316 STAINLESS STEEL	1
6	650101	1/4" TUBE BULKHEAD RETAINER	316 STAINLESS STEEL	3
7	650831	1/4" TUBE BALL VALVE	316 STAINLESS STEEL	4
8	650340	REDUCER 1/2 MNPT X 1/4 TUBE	316 STAINLESS STEEL	2
9	650040	1/2" FEMALE TEE	316 STAINLESS STEEL	1
10	650091	1/4" TUBE X 1/4" TUBE BULKHEAD	316 STAINLESS STEEL	5
11	651263	MALE CONNECTOR, 10 mm TUBE OD X 1/2 IN. MALE NPT	316 STAINLESS STEEL	1
12	650209	1/4" T 3-WAY BALL VALVE	316 STAINLESS STEEL	1
13	L1661_302470_98mm	HYGROPHIL SENSOR	316 STAINLESS STEEL	1
16	651205	XPMC 6",.300W,120V,T3W/ADJSTAT		1
17	600057	PLASTIC SUBMERSIBLE CORD GRIP, NPT THREADS, FOR 0.24"-0.47" CORD OD, 1/2 KNOCKOUT SIZE		4
18	620404	1/2" CONDUIT BULKHEAD		1
19	620151	1/2" MALE-FEMALE ELBOW		1
20	620631	DIVISION 2 CABLE GLAND ALUMINUM	ALUMINUM	2
21	650886	3/4" TO 1/2" ALUMINUM REDUCER		2
22	651268	TEMPERATURE GAUGE -40F - 160F	STAINLESS STEEL	1
23	620064	CLOSE NIPPLE 1/2"		2
24	620630	HFFA THERMOSTAT		1
25	620629	H324-2 (DIGITAL CONTROLLER TC CD E)		1
26	650870	3/4" 3 WAY HUB	aluminum	1
27	620635	HEAT TRACE CONTROLLER		1
28	650230	BACK PRESSURE REGULATOR ASSY	316 STAINLESS STEEL	1
29	660091	HAZARDOUS LOCATION PRESSURE TRANSDUCER		1
30	701504	BROOKS 3750 MOUNTING BRACKET	316 STAINLESS STEEL	1
31	650251	FLOWMETER ~7-700ML/MIN	316 STAINLESS STEEL	1
32	650038	1/4" MNPT X 1/4" T ELBOW	316 STAINLESS STEEL	2
33	650327	1/4" TUBE RUN X 1/4" FNPT BRANCH TEE	316 STAINLESS STEEL	1
34	650231	1/4" TUBE NEEDLE VALVE	316 STAINLESS STEEL	1
35	650381	0-200 PSI BOTTOM MOUNT PRESSURE GAUGE	316 STAINLESS STEEL	1



NOTES:
ALL ENTRIES AND PORTS ARE TAGGED

BARTEC ORB		UNLESS OTHERWISE SPECIFIED:		MODEL #:	BARTEC ORB
<small>THE DESIGN AND RELATED INFORMATION CONTAINED HEREIN IS THE SOLE PROPERTY OF BARTEC ORB. THE DISCLOSURE OF THIS INFORMATION DOES NOT CONSTITUTE THE RELEASE OF ANY PROPRIETARY RIGHTS THEREIN. PERMISSION TO REPRODUCE THIS INFORMATION OR THE PRODUCT DISCLOSED HEREIN MUST BE OBTAINED IN WRITING FROM BARTEC ORB.</small>		<small>DIMENSIONS ARE IN INCHES TOLERANCES: .125" = ± .004" .062" = ± .002" ANGULARS = ± 1/2° FRACTIONS = 1/64"</small>		<small>REMOVE BURRS AND SHARP EDGES</small>	
TITLE:	Hygrophil Measurement Panel			NAME	DATE
MATERIAL	AS STATED	FINISH	N/A	DRAWN BY	SIZE DWG. NO.
DO NOT SCALE DRAWING	ENG APPR.				D
				SCALE: N.T.S.	REV